

# 260 LBS (120KG) CAPACITY

## BW/RW/YB SERIES



BW02-1-T2-NY



BW02-2-T2-NY



BW23-1-S3-NY



BW23-2-S3-NY

### FEATURES

- Strong injection molded body
- Higher-than-average load capacities for twin wheel casters
- Used where exceptional style and durability required
- Variety of mountings

inch (mm). Lbs(kg)

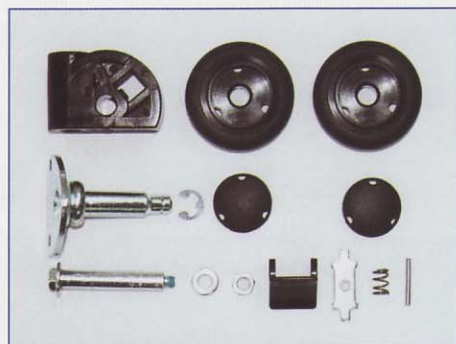
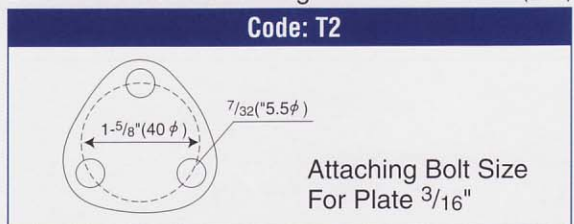
WHEEL		CASTER		PART NUMBER		
Diameter(D)	Tread Width W1(W2)	Capacity Lbs. Each	Swivel Radius(R)	Wheel Type	Swivel	Brake
2" (50)	2-7/16" (7/16") (62 . 12)	220 (100)	1-5/8" (42)	Nylon (NY)	BW02-1-**-NY	BW02-2-**-NY
	2" . 3/8" (51 . 10)	220 (100)	1-5/8" (42)	Nylon (NY)	RW02-1-T2NY	RW02-2-T2NY
	1-13/16" (11/32") (46/9)	180 (80)	1-5/8" (42)	Nylon (NY)	YB02-1-**-NY	YB02-2-**-NY
2-3/8" (60)	2-7/16" . 1/2" (62 . 12)	260 (120)	1-7/8" (47)	Nylon (NY)	BW23-1-**-NY	BW23-1-**-NY

### NUMBERING SYSTEM

BP	02	1	T1	NY
Series	Wheel Dia.	Option & Type	Type & Mountings	Wheel Type
BW=BW Series RW=RW Series YB=YB Series	02: 2" (50) 23: 2-3/8" (60)	1: Swivel 2: Brake	T: Top Plate S: Threaded Stem	NY: Nylon

### MOUNTINGS

BW/RW Series Plate Diagram inch(mm)



\* All components are exchangeable (Except YB series)

### BW, YB Series Threaded Stem

inch(mm)

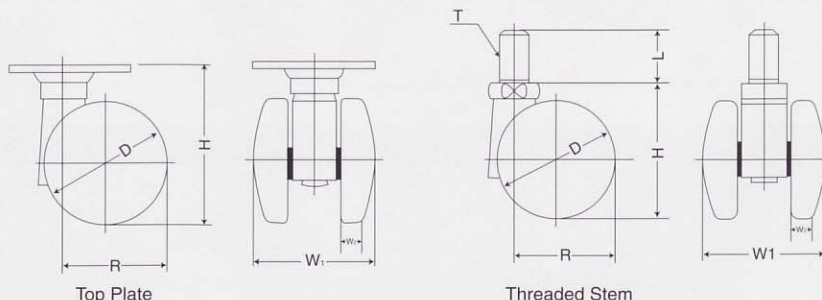
Code	Stem(T)	Stem Length(L)	Wheel Dia.(D)
S3	3/8"-16	1/4"(14)	2"(50), 2-3/8"(60)
S4	M8 x P1.25	9/16"(14)	

All threaded stem size are custom quantity order base.

### Overall Height (H)

inch(mm)

Wheel Dia.	Top Plate		Threaded Stem
2"(50)	BW	RW	2-9/32"(58)
	2-7/16"(62)	2-1/2"(65)	
2-3/8" (60)	2-29/32"(74)		2-3/4"(70)



Capacity rating is for manual operation only.

Custom Manufacturing Casters:Inquiries on other specifcatons welcome if numbers stand up

Caution:Most Nansin casters and wheels are designed and manufactured with metric specification. Some inch and pound descriptions in this catalogue may not be very accurate due to our intention of recognizable representation.