

220 LBS (100KG) CAPACITY

PMW/PME SERIES



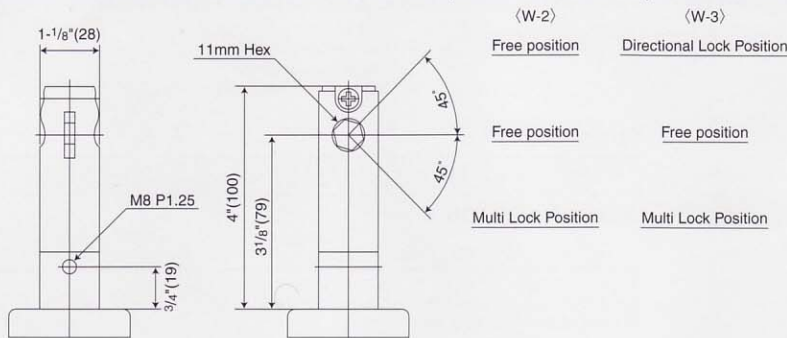
FEATURES

Multi lock brake mechanism engages central operation of the multi lock and directional lock
 Extremely quiet running and easy due to the use of hardened precision ball bearings in wheel and swivel head

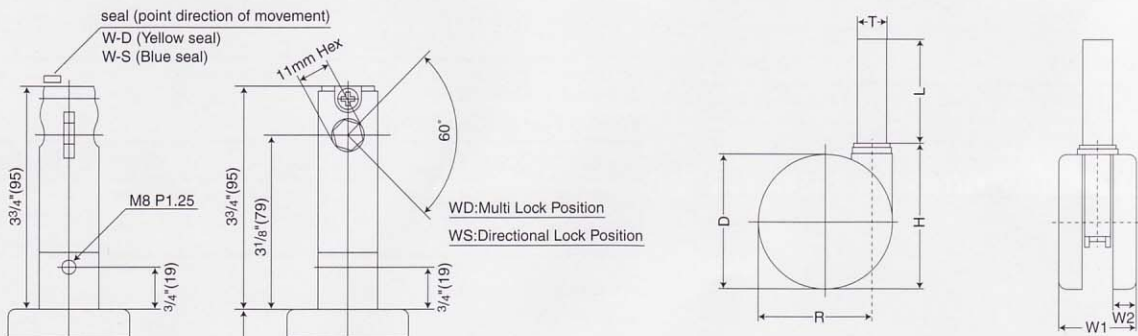
inch (mm). Lbs(kg)

WHEEL		CASTER			BEARING TYPE		PART NUMBER
Diameter(D)	Tread Width W1 (W2)	Capacity Lbs. Each	Swivel Radius(R)	Overall Height	Wheel Type	Bearing Type	Swivel & Brake
5" (126)	3" (1 1/16") {75 (18)}	220(100)	4" (101)	5-7/8" (149)	Urethane	Ball	PMW-125-W2
							PMW-125-W3
6" (150)	1" (25)	220(100)	4-15/16" (125)	7-3/16" (183)	Ultima Rubber	Ball	PME-150-WD
							PME-150-WS

PMW Series: Aluminium diecast structural components. Sealed precision ball bearing.



PME Series: Steel structural components with nylon cover. Sealed precision ball bearing.



Capacity rating is for manual operation only.

Custom Manufacturing Casters: Inquiries on other specifications welcome if numbers stand up

Caution: Most Nansin casters and wheels are designed and manufactured with metric specification. Some inch and pound descriptions in this catalogue may not be very accurate due to our intention of recognizable representation.