

220 LBS (100KG) CAPACITY

15 SERIES



1504-3-T1-PU



1505-1-S7-PU



1505-3-S7-PU

FEATURES

Sturdy, good looking apparatus casters
Available with tread and swivel lock

Very quiet running due to the use of hardened precision ball bearings in wheel
inch (mm). Lbs(kg)

WHEEL		CASTER		PART NUMBER				
Diameter(D)	Tread Width	Capacity Lbs Each	Swivel Radius(R)	Wheel Type	Bearing Type	Swivel	Rigid	Brake
4" (100)	1-3/16" (31)	220 (100)	3-11/16" (94)	Urethane (PU)	Ball	1504-1-**-PU	1504-8-**-PU	1504-3-**-PU
5" (125)	1-3/16" (31)	220 (100)	4-1/8" (106)	Urethane (PU)	Ball	1505-1-**-PU	1505-8-**-PU	1505-3-**-PU

NUMBERING SYSTEM

15

04

1

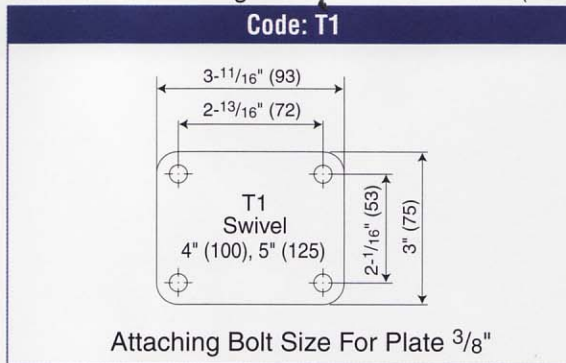
T1

PU

Series	Wheel Dia.	Option & Type	Type & Mountings	Wheel Type
15 =15 Series	04: 4" (100) 05: 5" (125)	1: Swivel 3:Tread & Swivel Lock (W-6) 8: Rigid	T: Top Plate S: Threaded Stem	(See options below)

MOUNTINGS

15 Series Plate Diagram inch(mm)



Threaded Stem inch(mm)

Code	Stem(T)	Stem Length(L)	Wheel Dia.(D)
S7*	1/2"-13	1" (25)	4" (100), 5" (125)

*Standard Mountings

Overall Height (H) inch(mm)

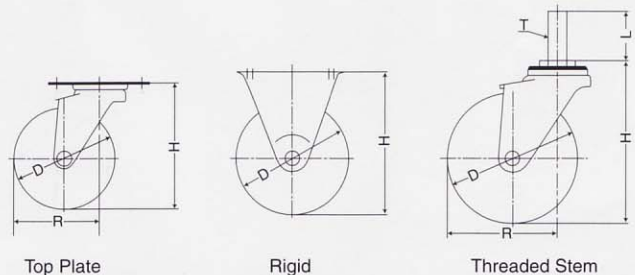
Wheel Dia.	Mounting Type	
	Top Plate	Threaded Stem
4" (100)	5-3/8" (138)	5-5/8" (143)
5" (125)	6-3/8" (163)	6-5/8" (169)

Spanner

Code	Mounting Subtense	Threaded Stem Code
SPANNER-A	7/8"x1" (23x26)	S7



A (23x26)



Capacity rating is for manual operation only.

Custom Manufacturing Casters:Inquiries on other specifications welcome if numbers stand up

Caution:Most Nansin casters and wheels are designed and manufactured with metric specification. Some inch and pound descriptions in this catalogue may not be very accurate due to our intention of recognizable representation.