

1300 LBS (600KG) CAPACITY

60 SERIES



FEATURES

- Heavy load casters
- Extremely robust construction
- Zinc plated finish
- Capacity range from 550lbs(250kg) to 1300lbs(600kg)/caster

inch (mm). Lbs(kg)

WHEEL		CASTER			Wheel Type		PART NUMBER	
Diameter(D)	Tread Width	Capacity Lbs. Each	Swivel Radius(R)	Overall Height(H)		Bearing Type	Swivel	Rigid
4" (100)	2" (50)	550(250)	3-9/16" (90)	5-5/8" (144)	Ultima Rubber(RD)	Ball	6004-1-T1RD	6004-8-T5RD
		770(350)			Urethane(UD)	Ball	6004-1-T1UD	6004-8-T5UD
		1010(460)			Monomer-cast Nylon(MH)	Ball	6004-1-T1MH	6004-8-T5MH
5" (130)	2" (50)	660(300)	4-5/16" (110)	6-15/16" (177)	Ultima Rubber(RD)	Ball	6005-1-T1RD	6005-8-T6RD
		1100(500)			Urethane(UD)	Ball	6005-1-T1UD	6005-8-T6UD
		1210(550)			Monomer-cast Nylon(MH)	Ball	6005-1-T1MH	6005-8-T6MH
6" (150)	2" (50)	770(350)	4-15/16" (125)	7-3/4" (198)	Ultima Rubber(RD)	Ball	6006-1-T2RD	6006-8-T6RD
		1210(550)			Urethane(UD)	Ball	6006-1-T2UD	6006-8-T6UD
		1320(600)			Monomer-cast Nylon(MH)	Ball	6006-1-T2MH	6006-8-T6MH

NUMBERING SYSTEM

60	04	1	T1	RD
Series	Wheel Dia.	Option & Type	Type & Mountings	Wheel Type
60 =60 Series	04: 4" (100) 05: 5" (130) 06: 6" (150)	1: Swivel 8: Rigid	T: Top Plate	(See wheel selection below)

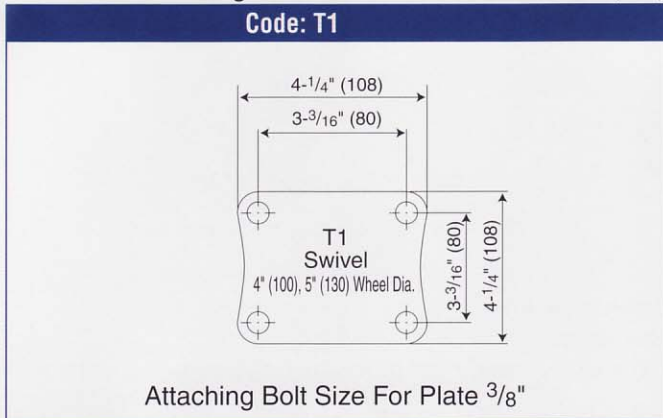
Wheel Selection



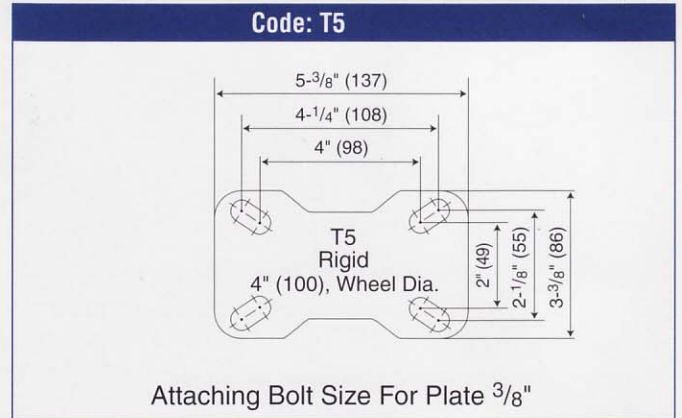
MOUNTINGS

60 Series Plate Diagram

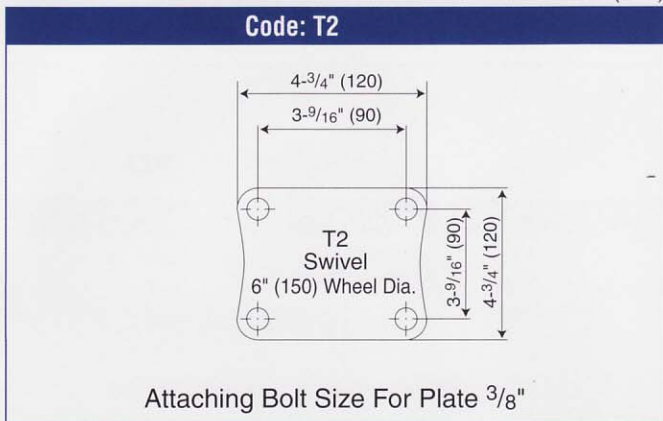
inch(mm)



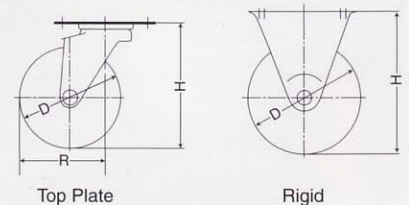
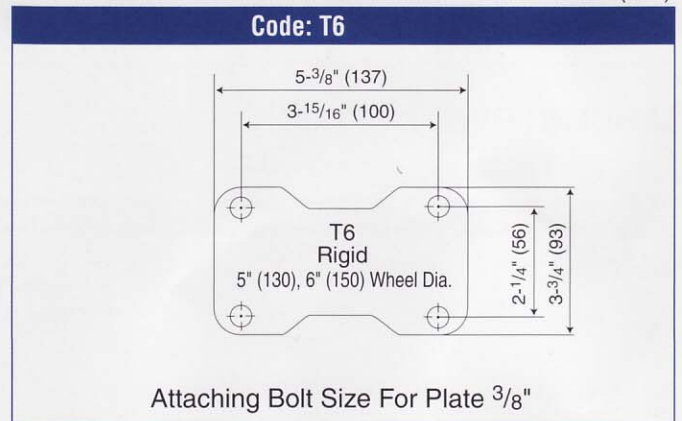
inch(mm)



inch(mm)



inch(mm)



Capacity rating is for manual operation only.

Custom Manufacturing Casters: Inquiries on other specifications welcome if numbers stand up

Caution: Most Nansin casters and wheels are designed and manufactured with metric specification. Some inch and pound descriptions in this catalogue may not be very accurate due to our intention of recognizable representation.